



# TNS-50 Series

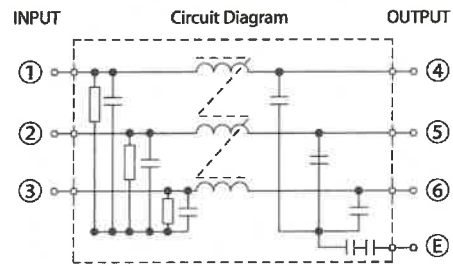
## Three phase Noise Filter

### Feature

- High attenuation characteristics (150KHz~1MHz)
- Three Phase
- 1-Stage Filter
- Plastic case(6A~30A)/Steel case(40A~60A)/Safety cover
- Easy push-down Terminal Block
- DIN Rail mountable(option 6A~30A)



DIN Rail(option)



## TNS SPECIFICATIONS

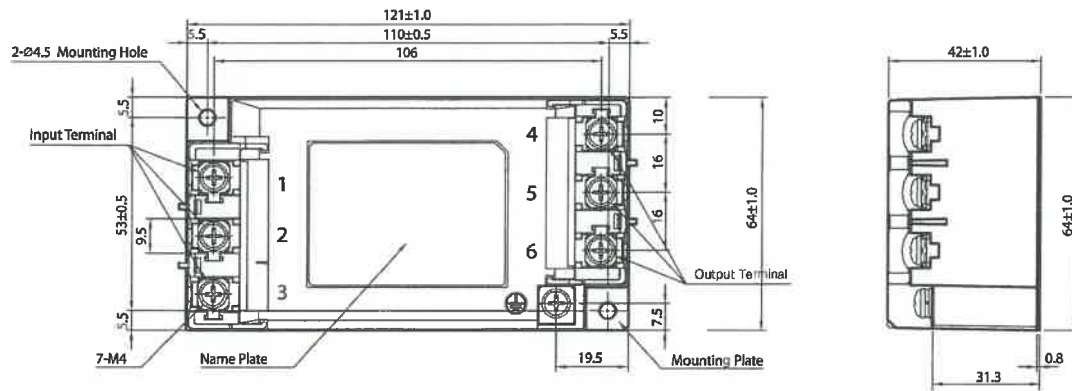


MODEL	Rated Voltage (AC/DC)	Rated Current	Leakage Current(60Hz)	Temperature Rise	Operating Temperature
TNS-5006	500V Max	6A	5.0mA Max	50°C Max	-25~+85°C
TNS-5006-DIN	500V Max	6A	5.0mA Max	50°C Max	-25~+85°C
TNS-5010	500V Max	10A	5.0mA Max	50°C Max	-25~+85°C
TNS-5010-DIN	500V Max	10A	5.0mA Max	50°C Max	-25~+85°C
TNS-5020	500V Max	20A	5.0mA Max	50°C Max	-25~+85°C
TNS-5020-DIN	500V Max	20A	5.0mA Max	50°C Max	-25~+85°C
TNS-5030	500V Max	30A	5.0mA Max	50°C Max	-25~+85°C
TNS-5030-DIN	500V Max	30A	5.0mA Max	50°C Max	-25~+85°C
TNS-5040	500V Max	40A	5.0mA Max	50°C Max	-25~+85°C
TNS-5050	500V Max	50A	5.0mA Max	50°C Max	-25~+85°C
TNS-5060	500V Max	60A	5.0mA Max	50°C Max	-25~+85°C
TNS-5080 ●	500V Max	80A	5.0mA Max	50°C Max	-25~+85°C
TNS-5100 ●	500V Max	100A	5.0mA Max	50°C Max	-25~+85°C
TNS-5150 ●	500V Max	150A	5.0mA Max	50°C Max	-25~+85°C

(● : 개발중)

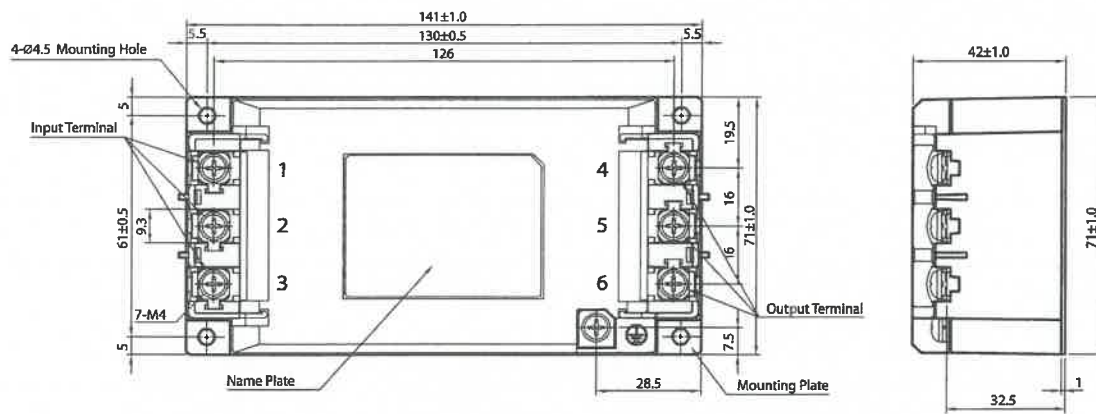
TNS A-type (5006 / 5010)

1-Stage Filter



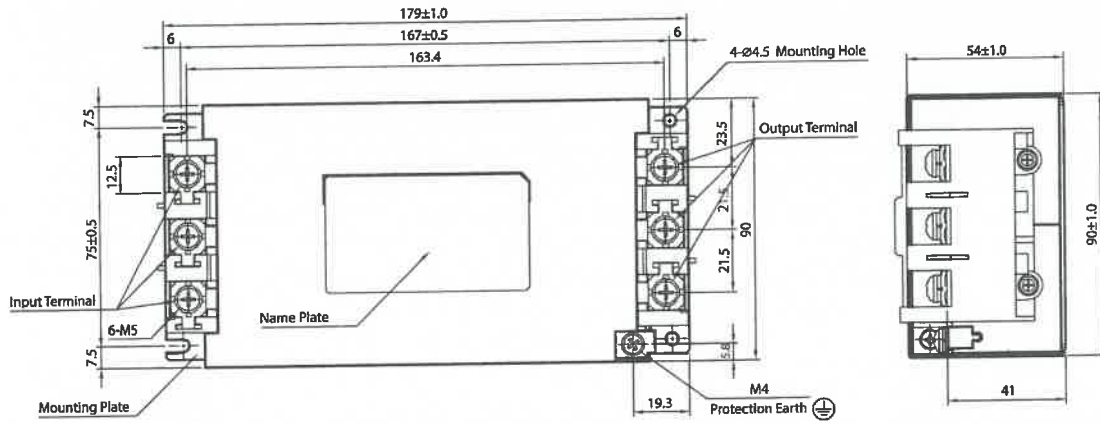
TNS B-type (5020 / 5030)

1-Stage Filter



TNS C-type (5040 / 5050 / 5060)

1-Stage Filter



TNS D-type (5080 / 5100)

1-Stage Filter

